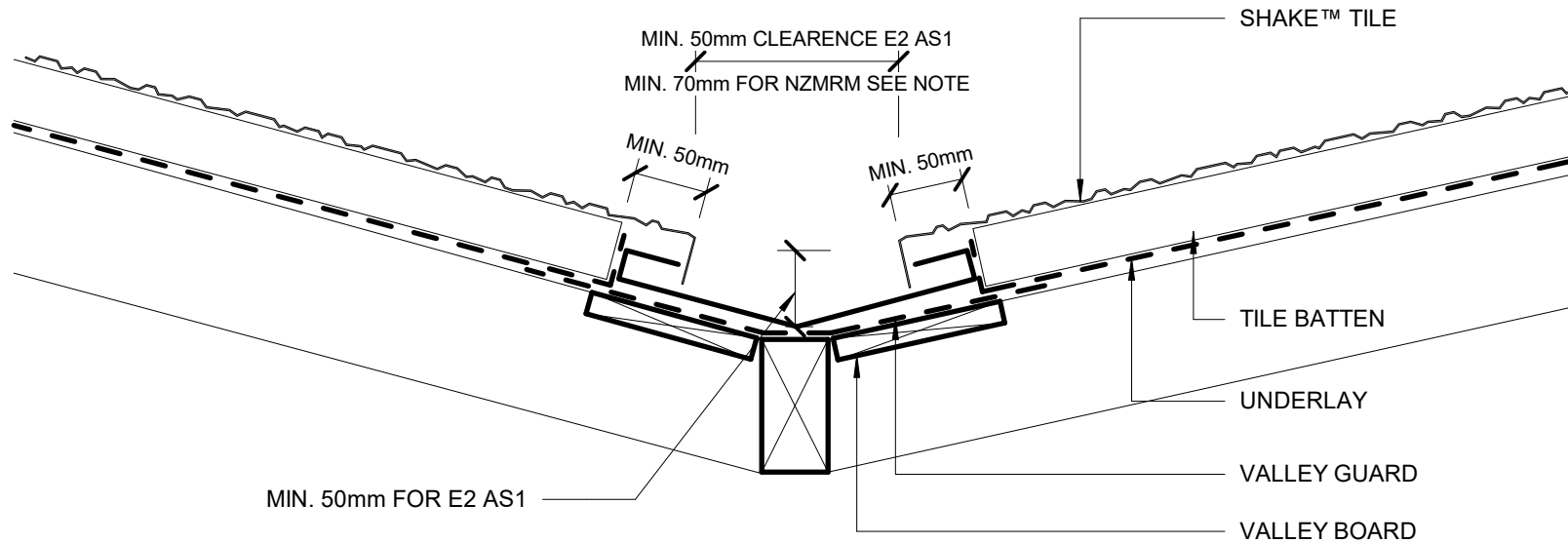


# Shake™

## RESIDENTIAL ROOFING

<u>DETAIL LIST</u>	<u>Revision</u>	<u>Date</u>
00 / 13		
01 / 13		
02 / 13		
03 / 13		
04 / 13		
05 / 13		
06 / 13		
07 / 13		
08 / 13		
09 / 13		
10 / 13		
11 / 13		
12 / 13		
13 / 13		
COVER SHEET		
VALLEY FLASHING	1.0	OCT 2023
ANGLE RIDGE	1.0	OCT 2023
FOLDED RIDGE	1.0	OCT 2023
ANGLE BARGE	1.0	OCT 2023
FOLDED BARGE	1.0	OCT 2023
ANGLE CAP BARGE	1.0	OCT 2023
FOLDED CAP BARGE	1.0	OCT 2023
TILE BATTEN LAYOUT 01	1.0	OCT 2023
TILE BATTEN LAYOUT 02	1.0	OCT 2023
CHIMNEY SIDE VIEW	1.0	OCT 2023
HEAD APRON	1.0	OCT 2023
SIDE FLASHING	1.0	OCT 2023
SECRET GUTTER	1.0	OCT 2023

\*SHAKE™  
MIN. ROOF PITCH = 15°  
15.00°



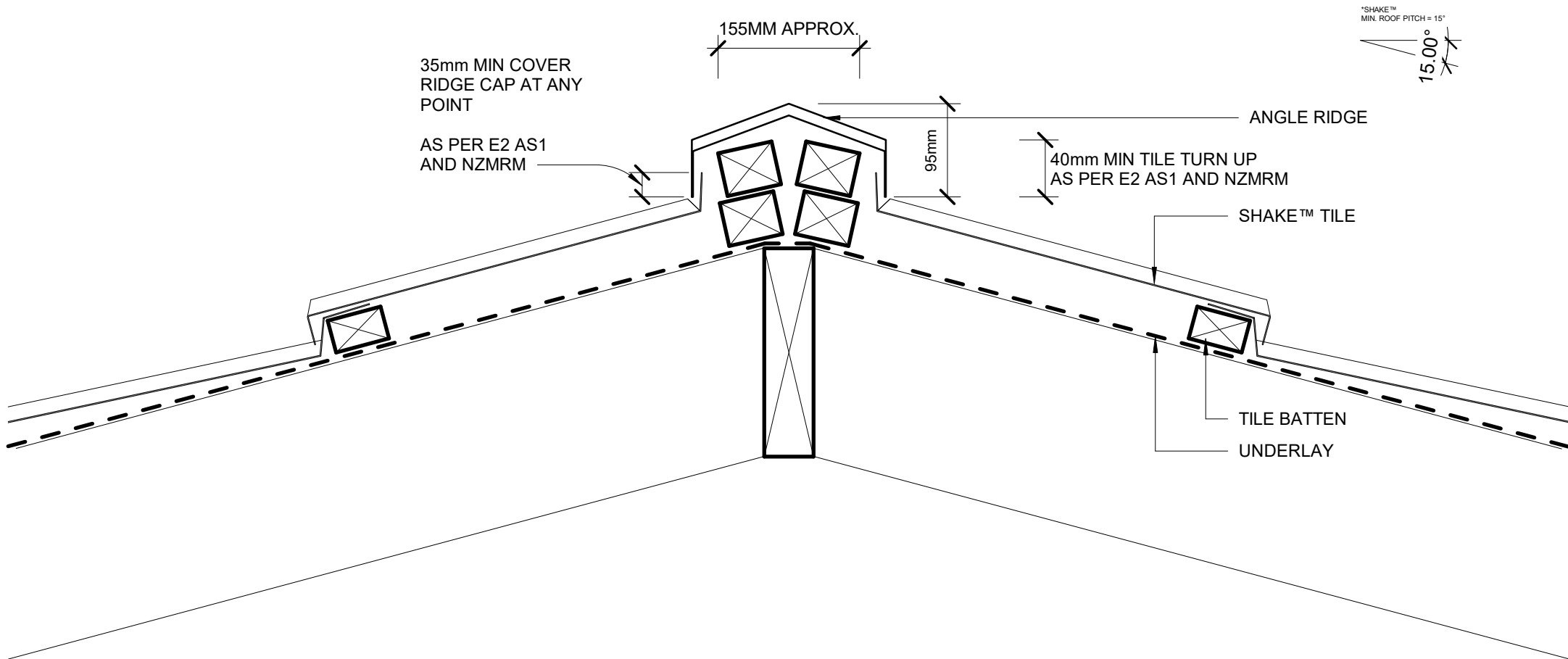
MIN. 50mm FOR E2 AS1

FOR ALTERNATIVE  
VALLEY GUTTER DESIGN  
REFER NZMRM CODE OF  
PRACTICE

FOR VALLEY GUTTER DIMENSIONS AS PER  
TABLE 8 OF E2 AS1.

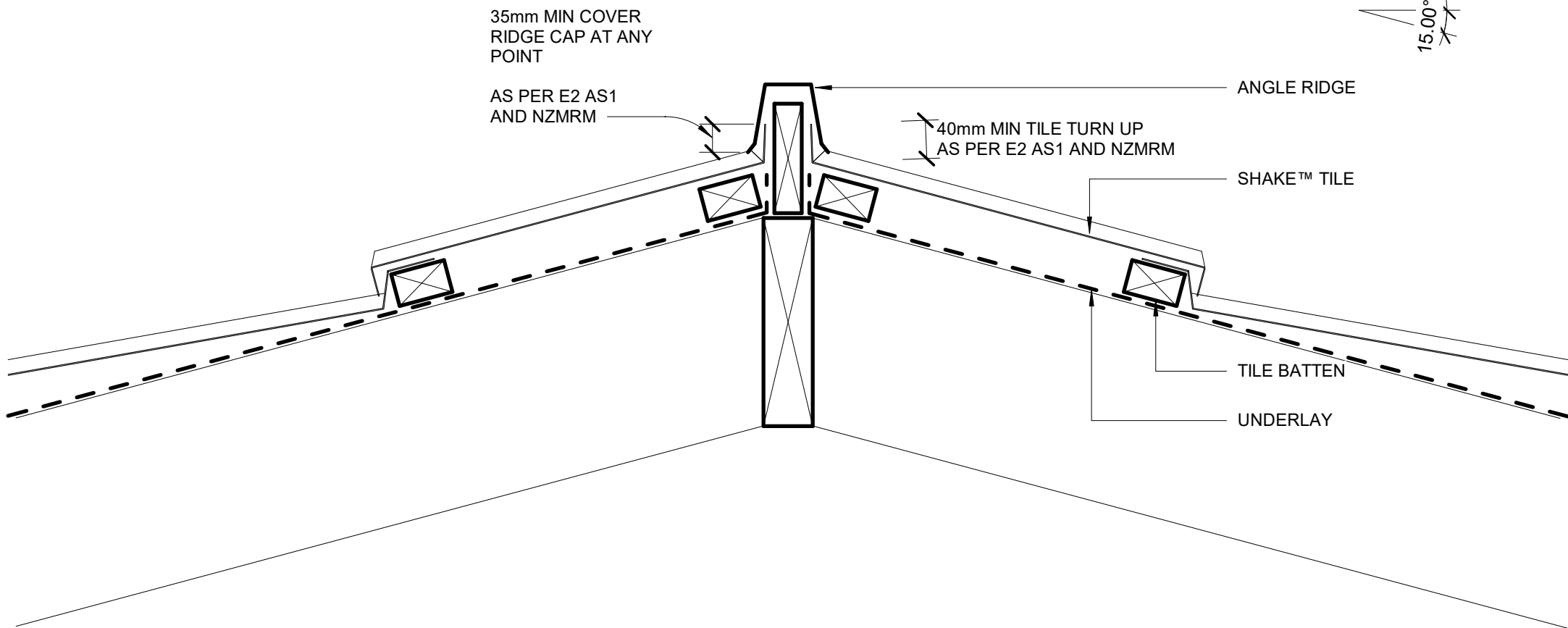
OR FOR ALTERNATIVE VALLEY GUTTER  
DESIGN REFER TO THE NZMRM CODE OF  
PRACTICE.

ROOF AND WALL UNDERLAYS. PLEASE REFER TO NZBC E2/AS1 AND  
NZMRM CODE OF PRACTICE VERSION SEPTEMBER 2023.

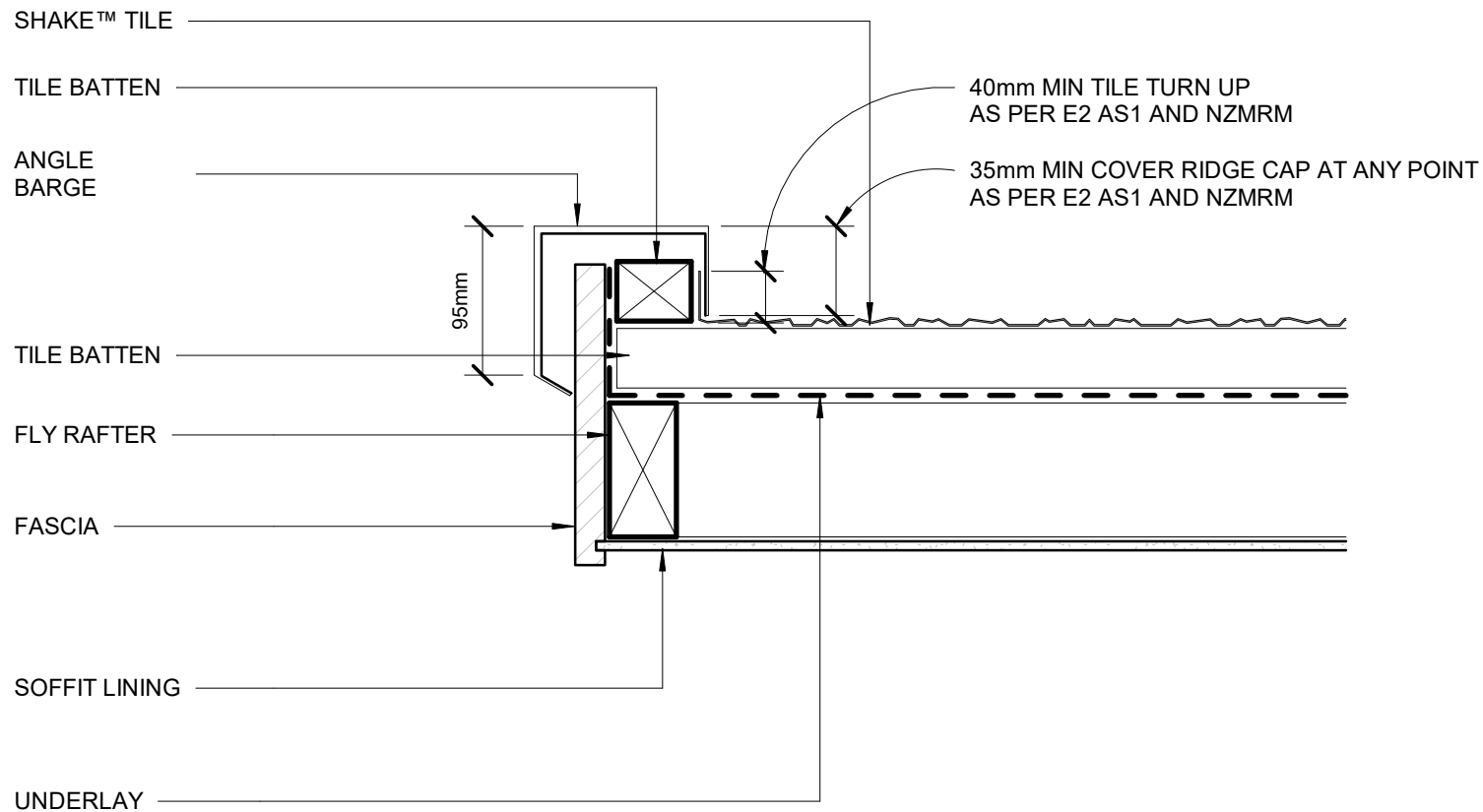


ROOF AND WALL UNDERLAYS. PLEASE REFER TO NZBC E2/AS1 AND NZMRM CODE OF PRACTICE VERSION SEPTEMBER 2023.

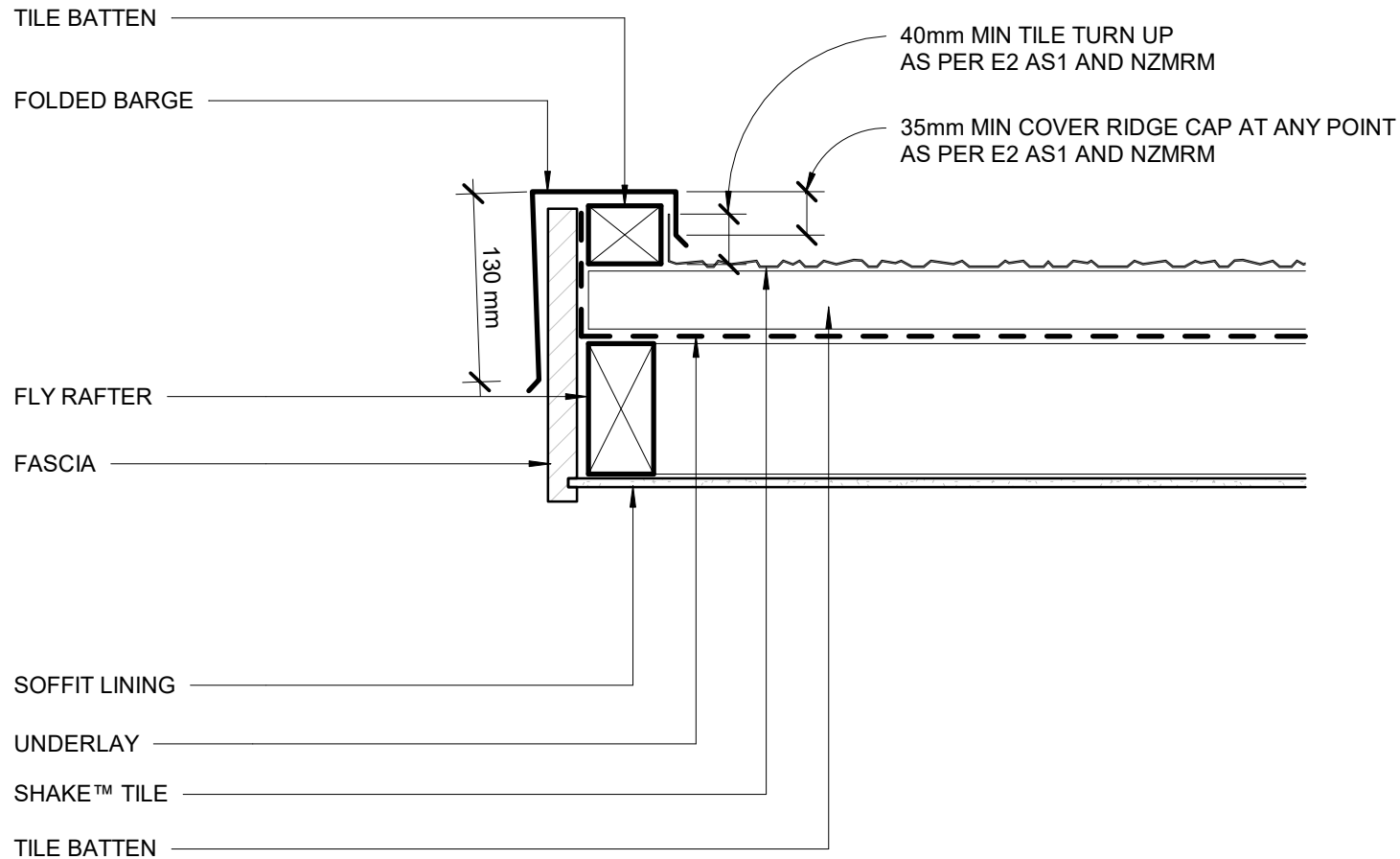
\*SHAKE™  
MIN. ROOF PITCH = 15°  
15.00°



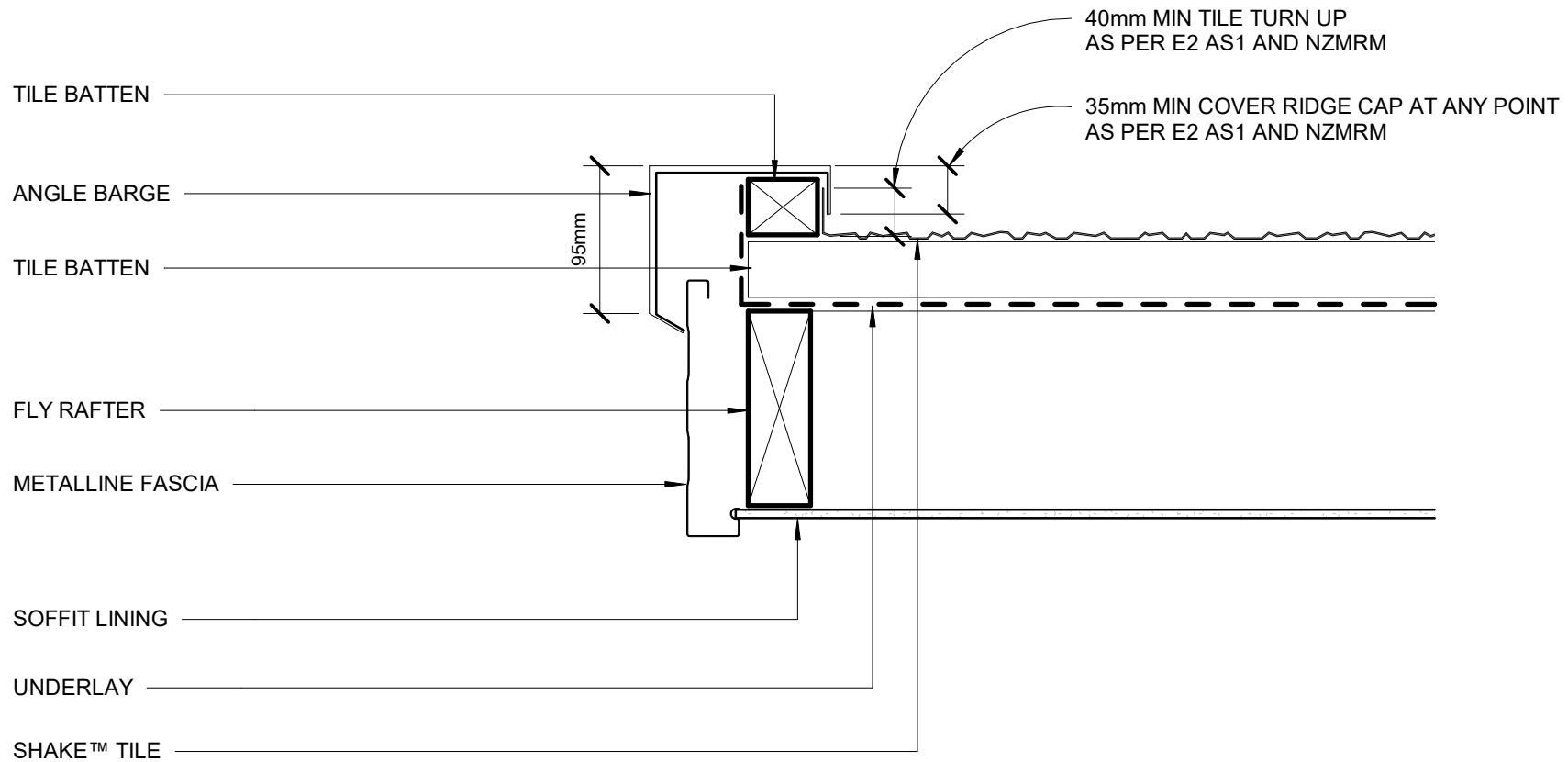
ROOF AND WALL UNDERLAYS. PLEASE REFER TO NZBC E2/AS1 AND NZMRM CODE OF PRACTICE VERSION SEPTEMBER 2023.



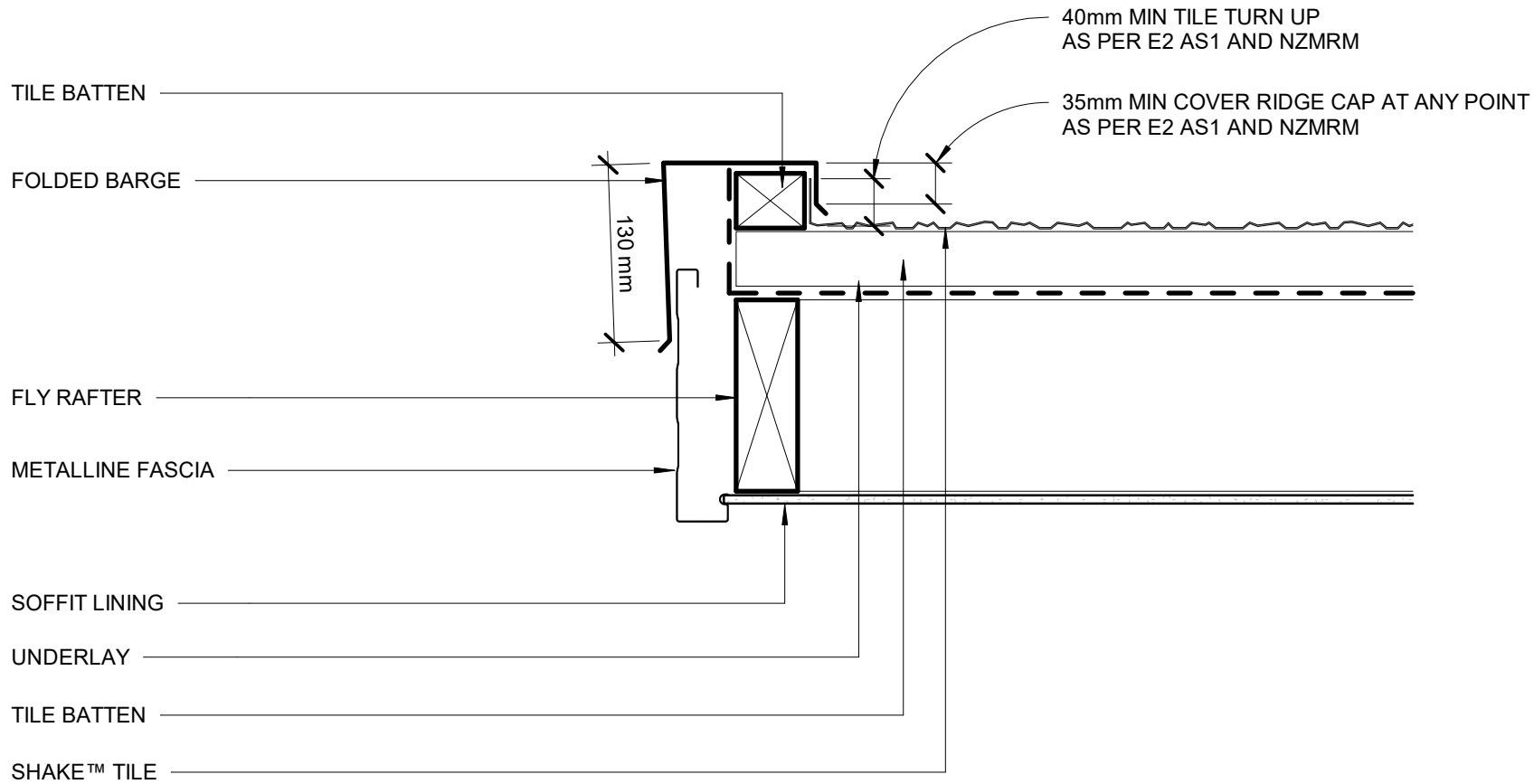
ROOF AND WALL UNDERLAYS. PLEASE REFER TO NZBC E2/AS1 AND NZMRM CODE OF PRACTICE VERSION SEPTEMBER 2023.



ROOF AND WALL UNDERLAYS. PLEASE REFER TO NZBC E2/AS1 AND NZMRM CODE OF PRACTICE VERSION SEPTEMBER 2023.

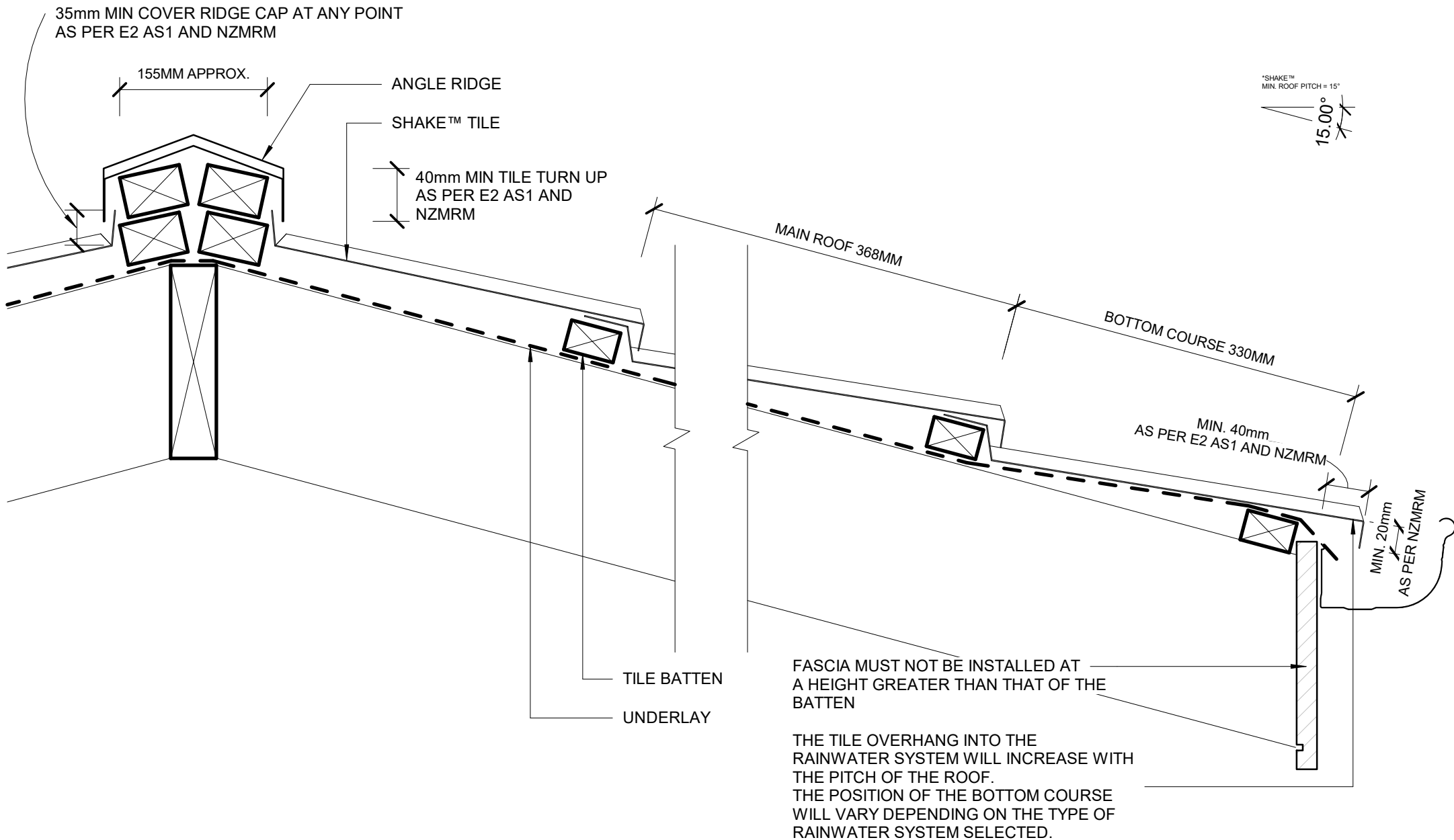


ROOF AND WALL UNDERLAYS. PLEASE REFER TO NZBC E2/AS1 AND NZMRM CODE OF PRACTICE VERSION SEPTEMBER 2023.



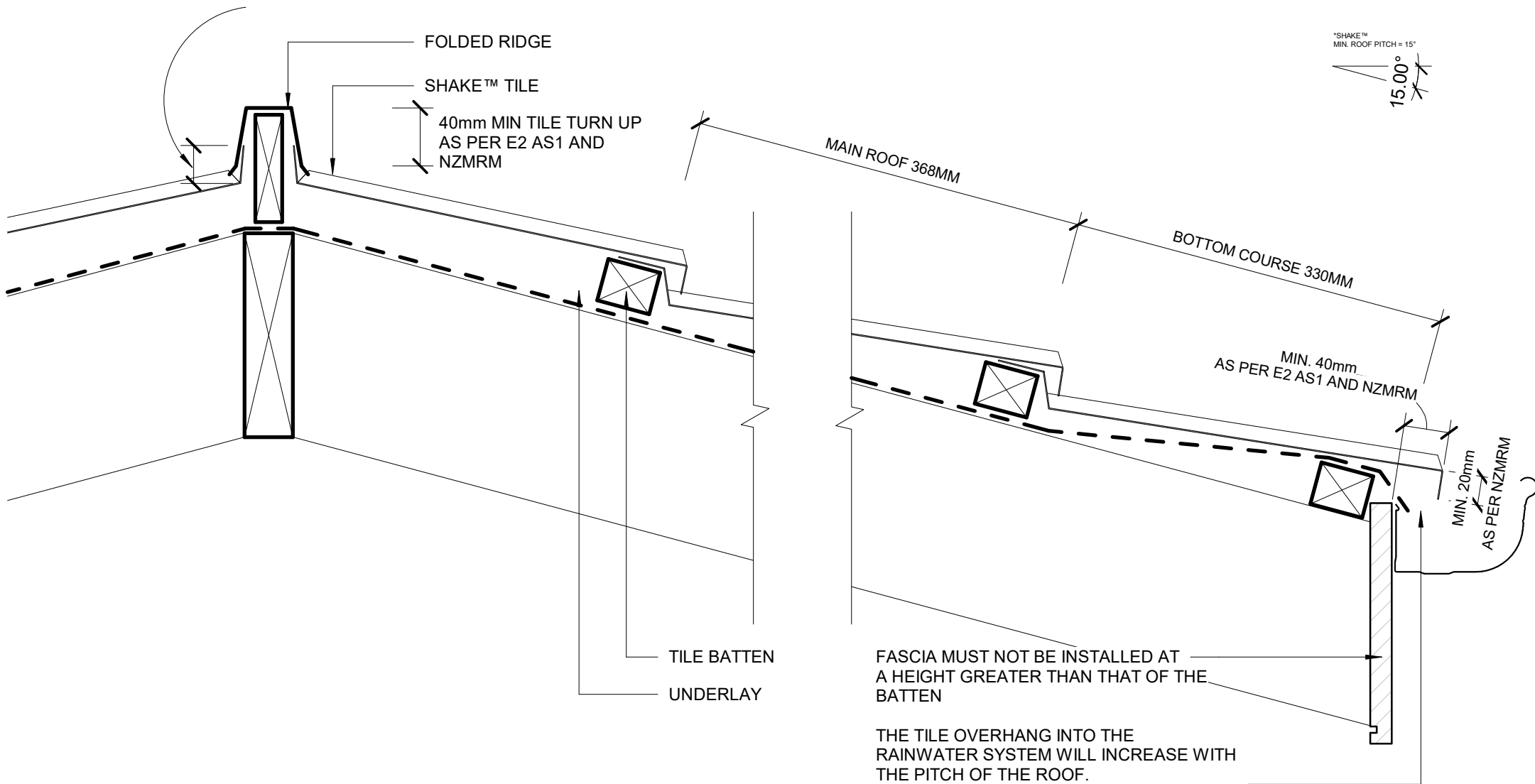
ROOF AND WALL UNDERLAYS. PLEASE REFER TO NZBC E2/AS1 AND NZMRM CODE OF PRACTICE VERSION SEPTEMBER 2023.



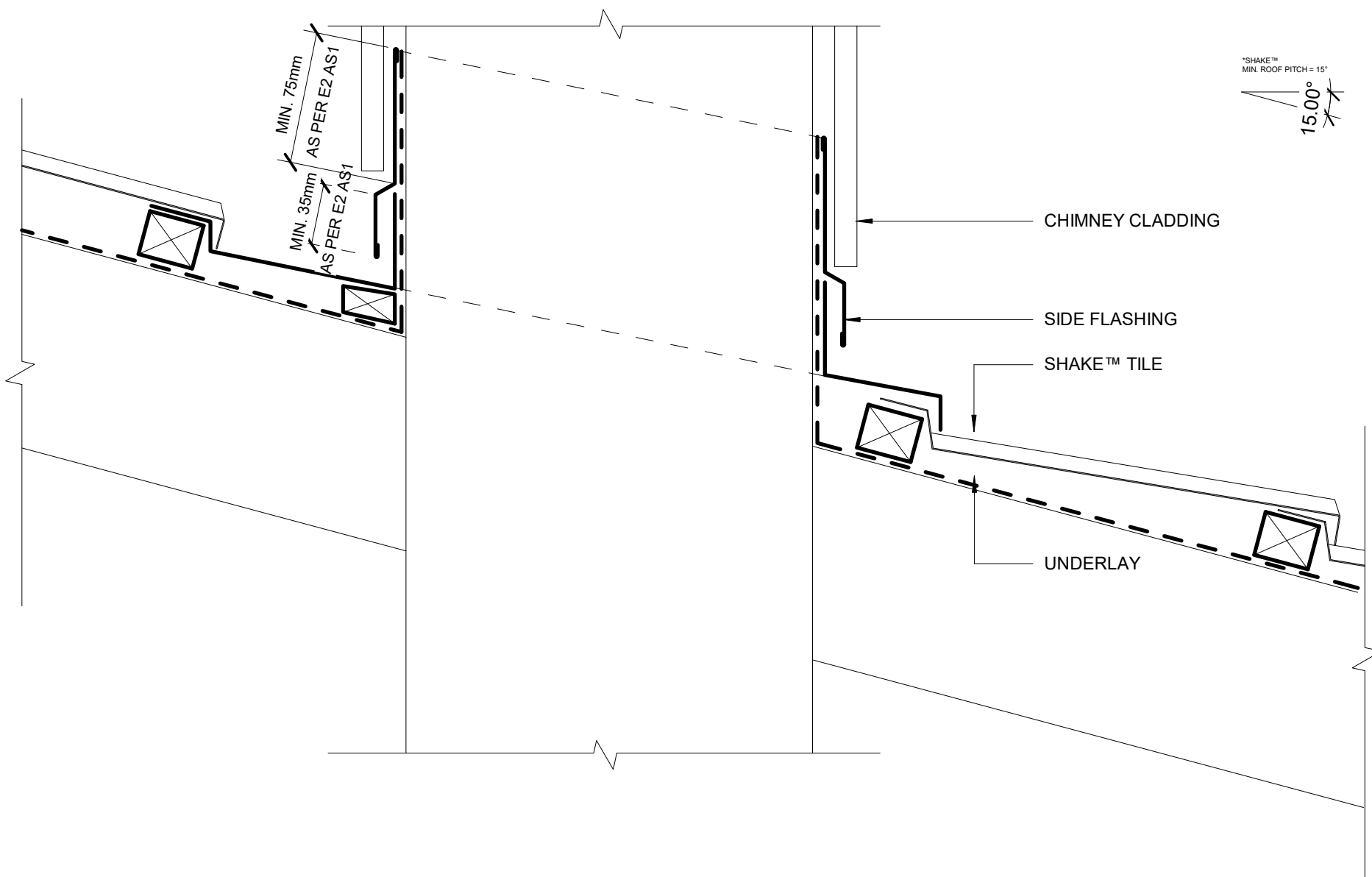


ROOF AND WALL UNDERLAYS. PLEASE REFER TO NZBC E2/AS1 AND NZMRM CODE OF PRACTICE VERSION SEPTEMBER 2023.

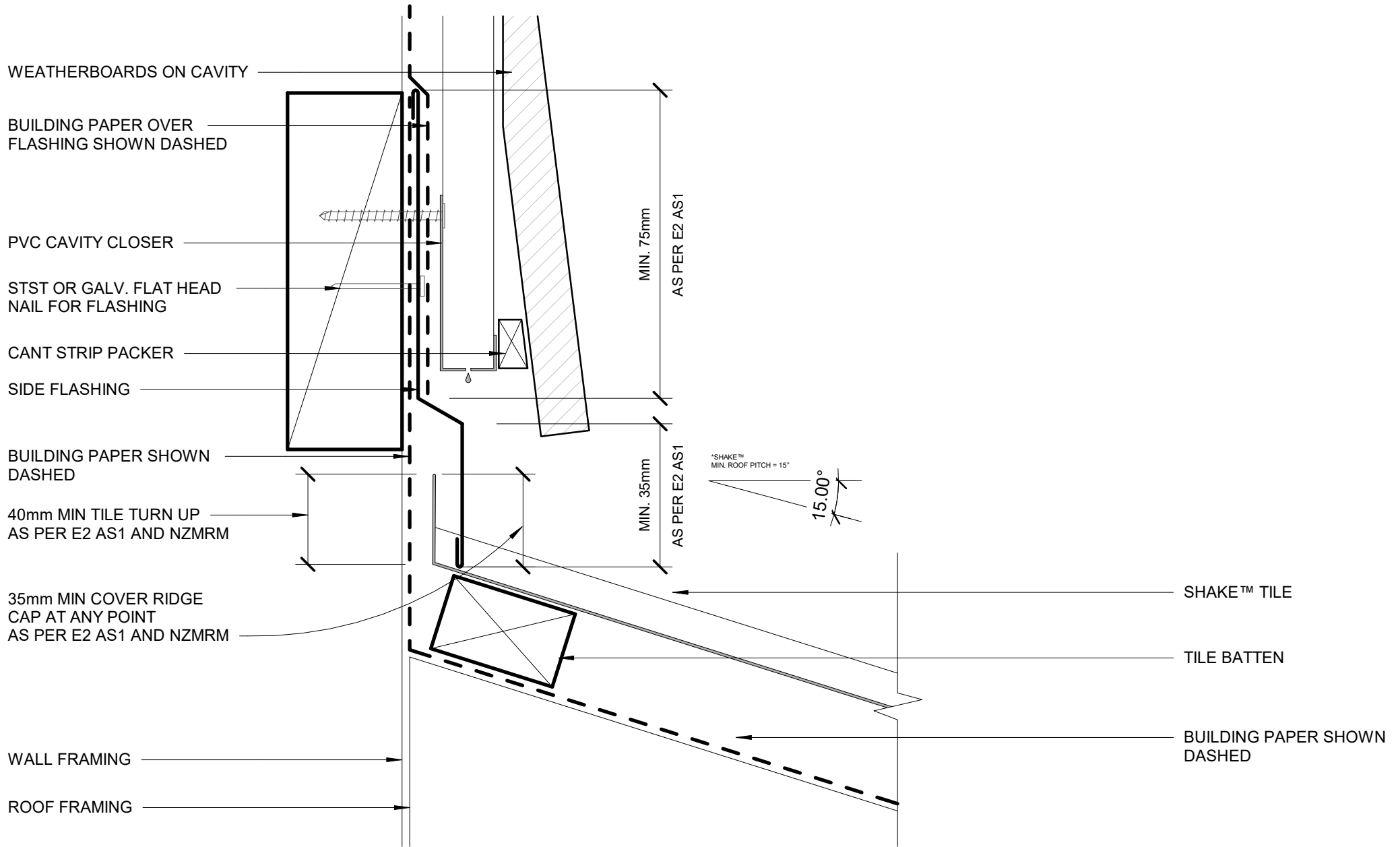
35mm MIN COVER RIDGE CAP AT ANY POINT  
AS PER E2 AS1 AND NZMRM



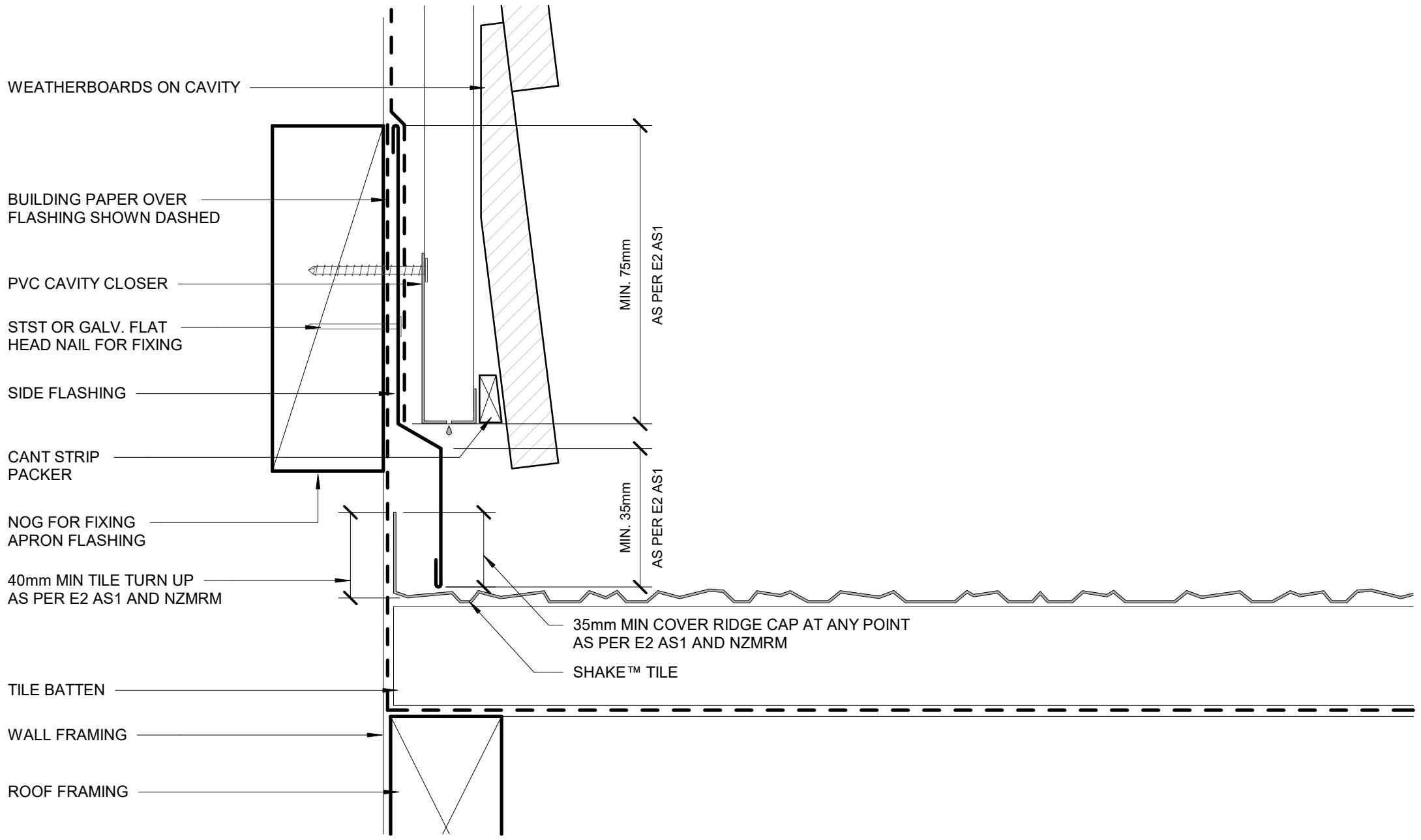
ROOF AND WALL UNDERLAYS. PLEASE REFER TO NZBC E2/AS1 AND  
NZMRM CODE OF PRACTICE VERSION SEPTEMBER 2023.



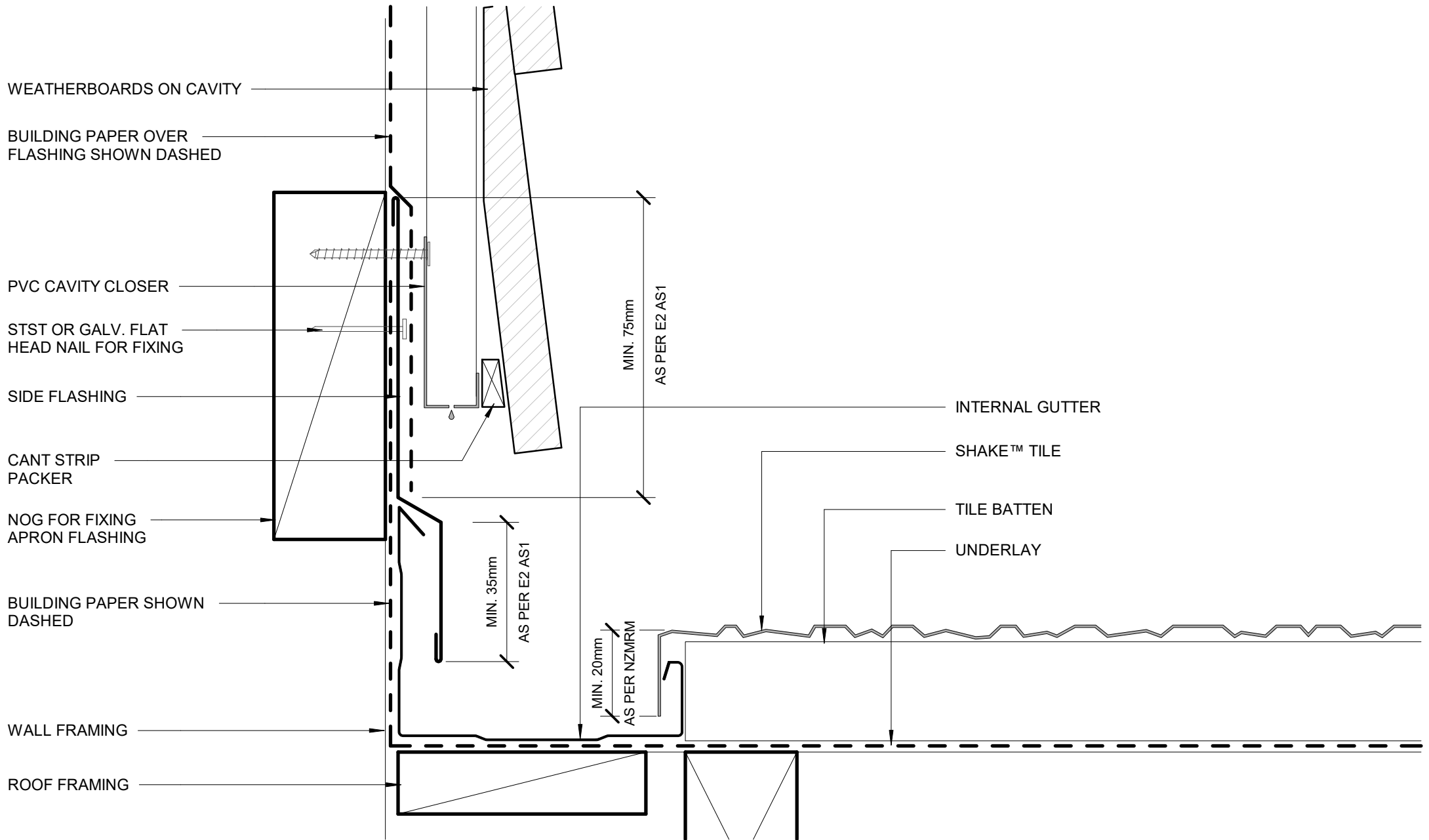
ROOF AND WALL UNDERLAYS. PLEASE REFER TO NZBC E2/AS1 AND NZMRM CODE OF PRACTICE VERSION SEPTEMBER 2023.



ROOF AND WALL UNDERLAYS. PLEASE REFER TO NZBC E2/AS1 AND NZMRM CODE OF PRACTICE VERSION SEPTEMBER 2023.



ROOF AND WALL UNDERLAYS. PLEASE REFER TO NZBC E2/AS1 AND NZMRM CODE OF PRACTICE VERSION SEPTEMBER 2023.



ROOF AND WALL UNDERLAYS. PLEASE REFER TO NZBC E2/AS1 AND NZMRM CODE OF PRACTICE VERSION SEPTEMBER 2023.